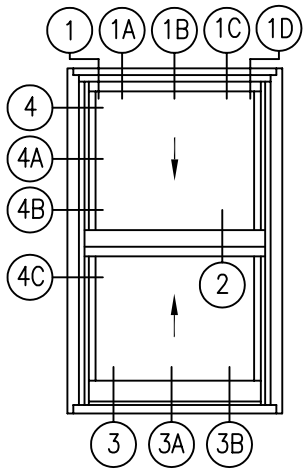
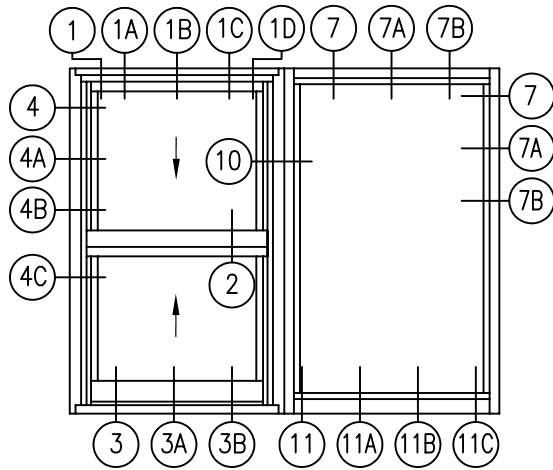


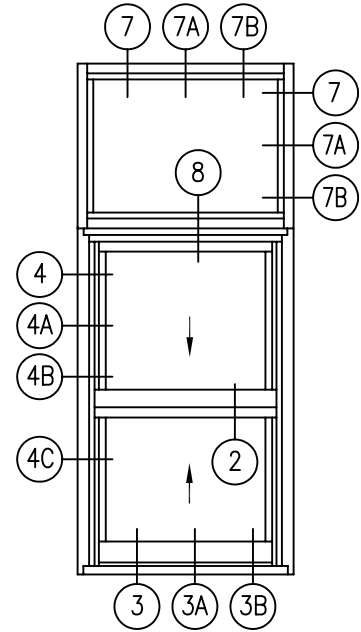
SCALE: NONE



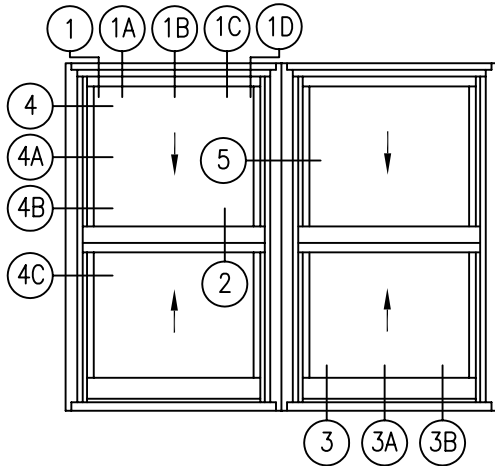
Double hung



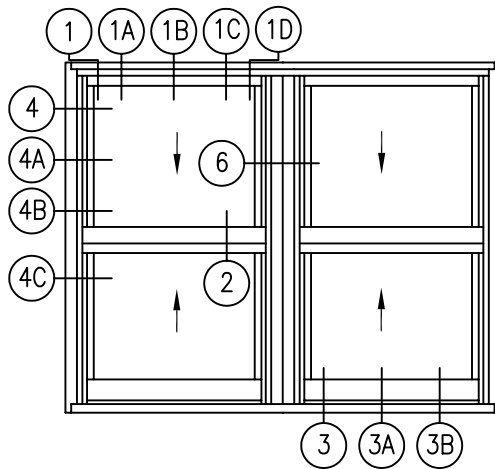
Double Hung/Fixed



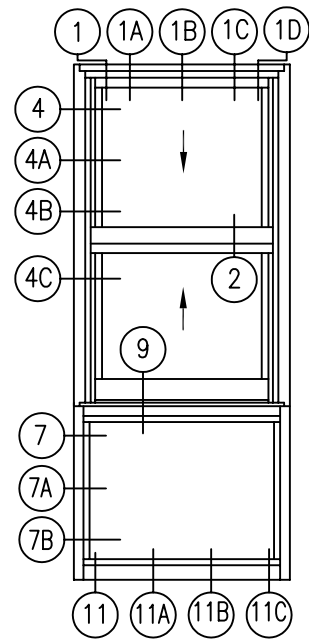
Fixed over Double Hung



Twin with H Mullion



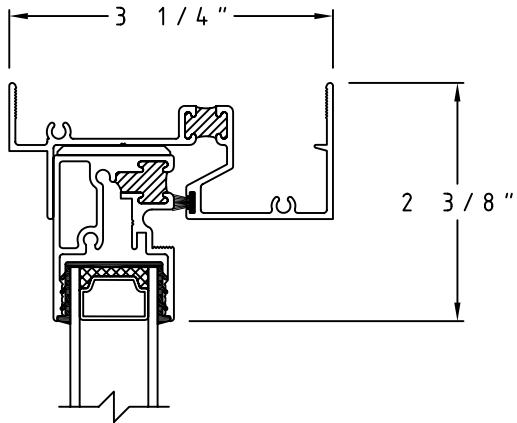
Twin Continuous Frame



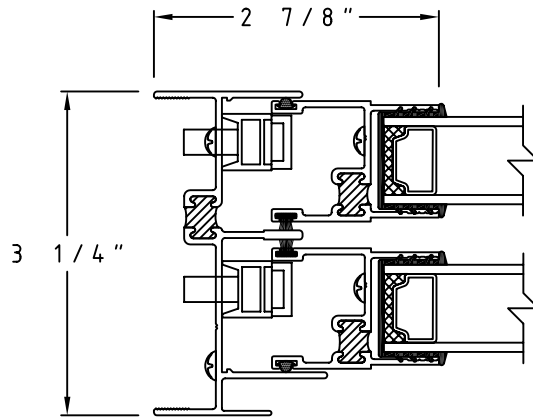
Double Hung over Fixed

All Elevations are viewed outside looking IN.
 Note: Other Configurations Available Upon Request

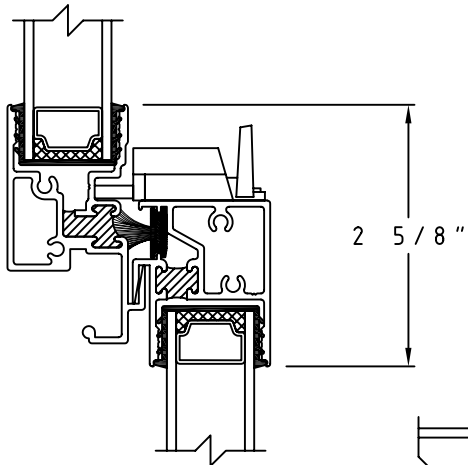
SCALE: HALF



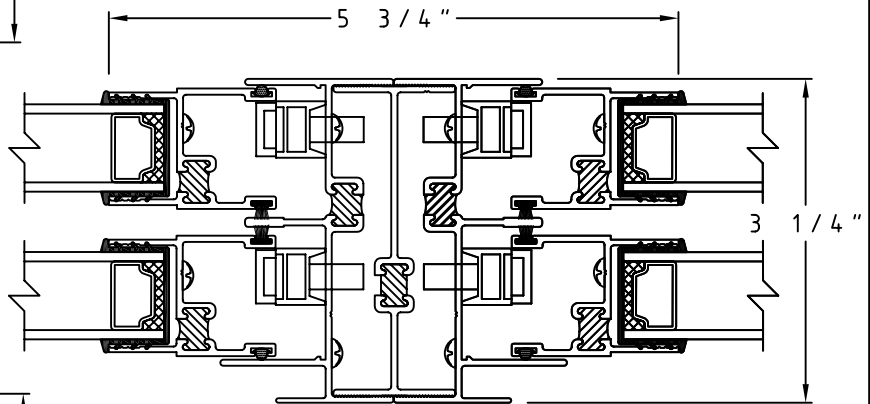
① Head Detail



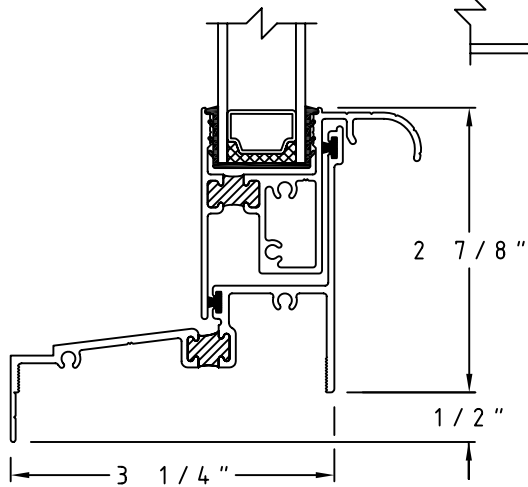
④ Jamb Detail



② Meeting Rail Detail

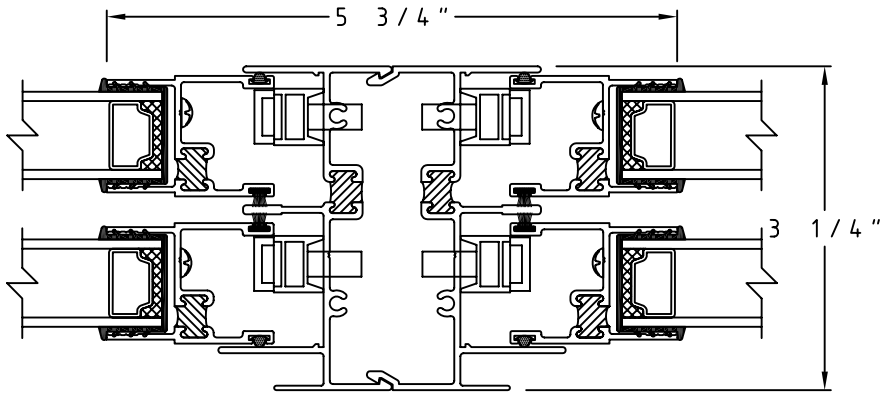


⑤ Vertical H Mullion Detail

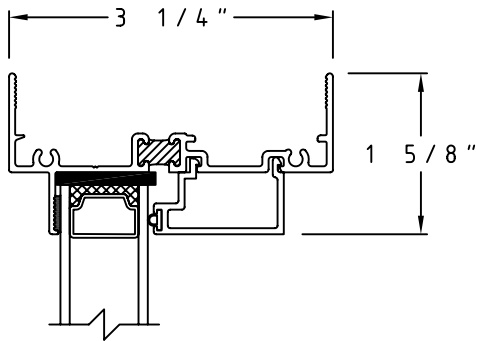


③ Sill Detail

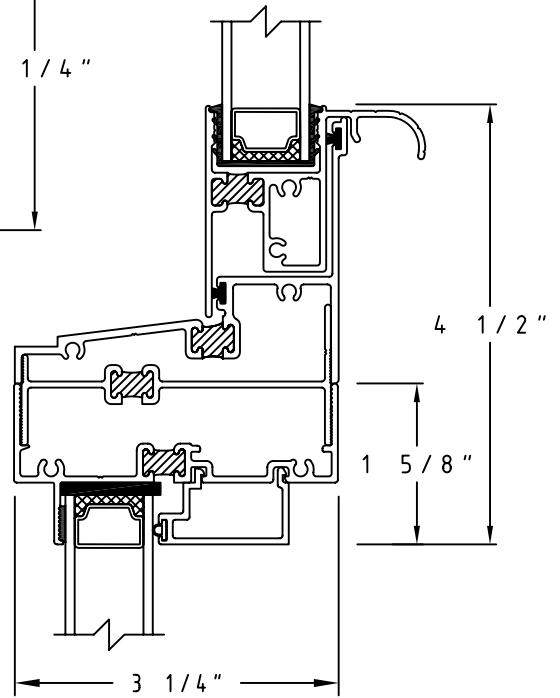
SCALE: HALF



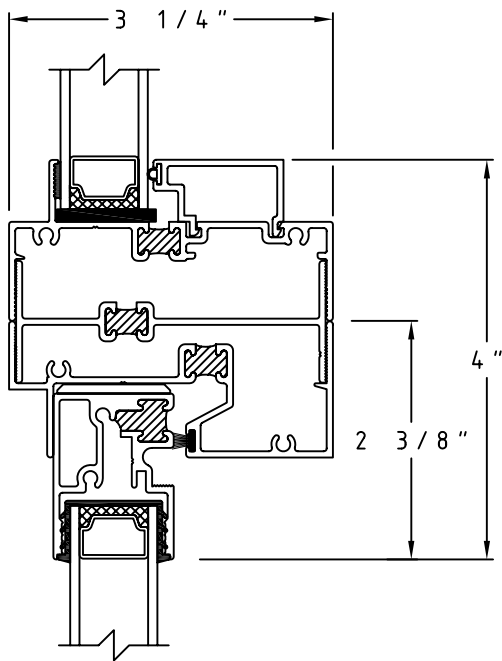
⑥ Double Hung/Double Hung with a Male/Female Intergal Mullion



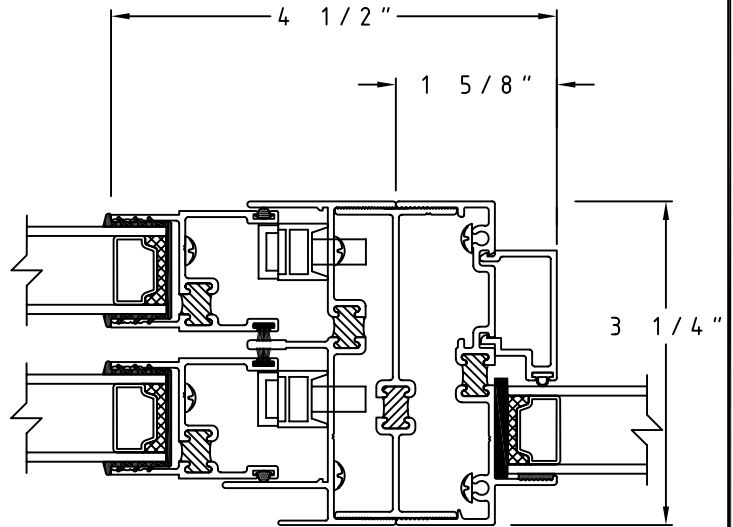
⑦ Fixed Head/Jamb Detail



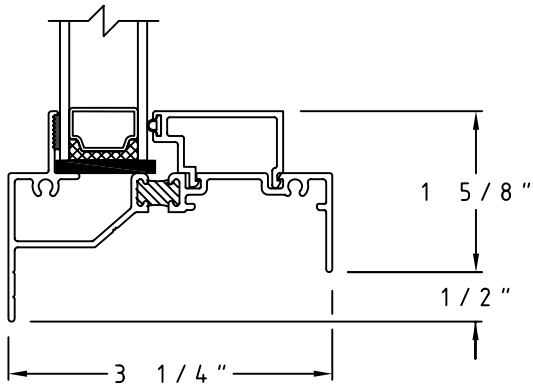
⑨ Double Hung Over Fixed with Stack Mullion Detail



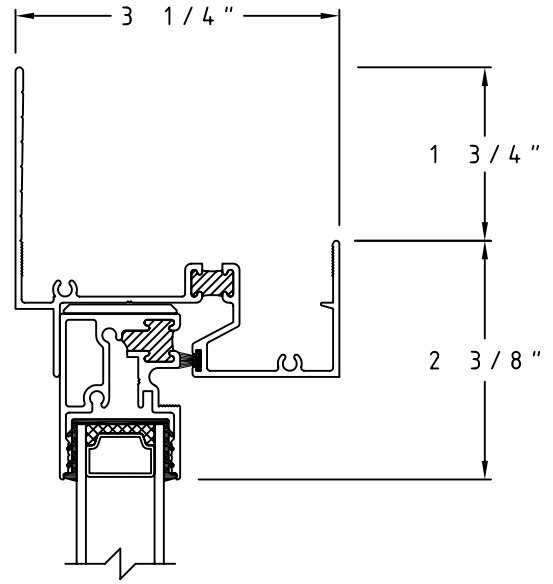
⑧ Fixed Over Double Hung with H Mullion Detail



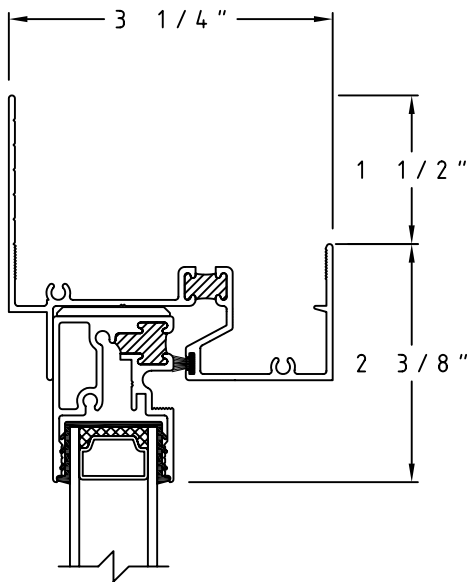
⑩ Double Hung Fixed H Mullion Detail



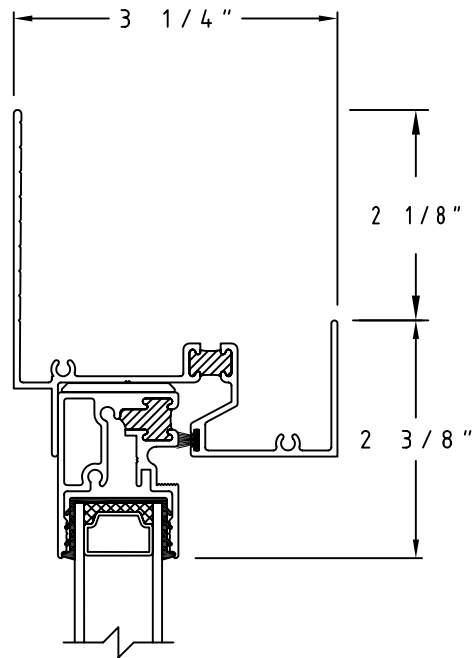
⑪ Fixed Sill Detail



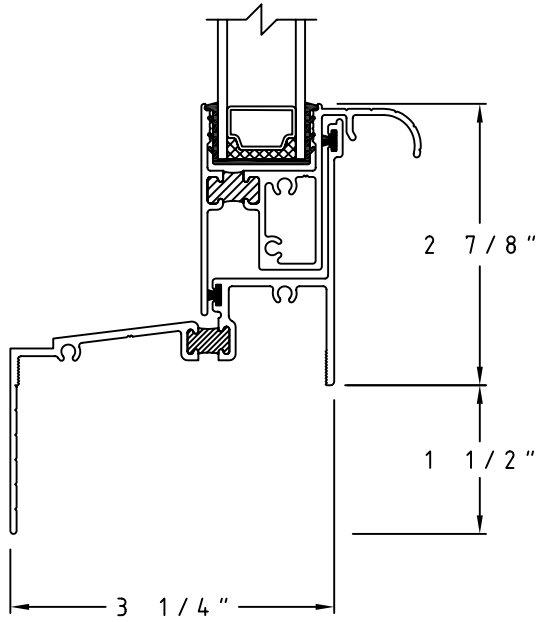
⑪B 1 3/4" Flange Head Detail



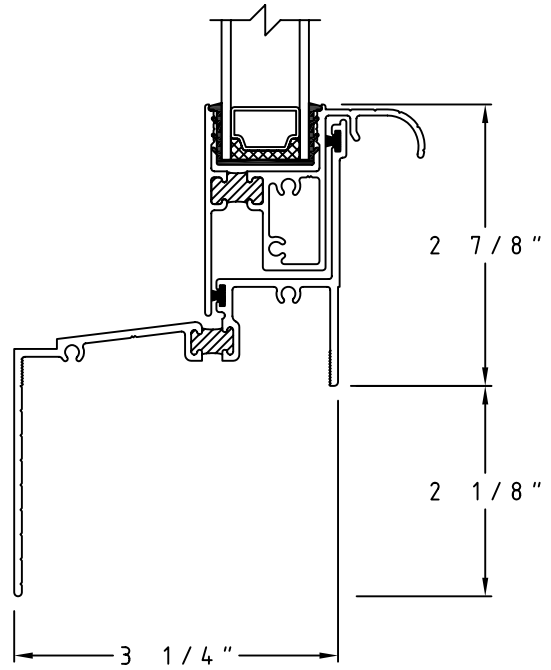
⑪A 1 1/2" Flange Head Detail



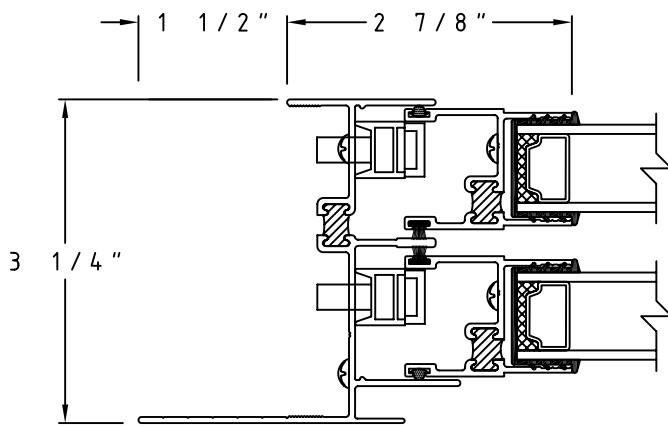
⑪C 2 1/8" Flange Head Detail



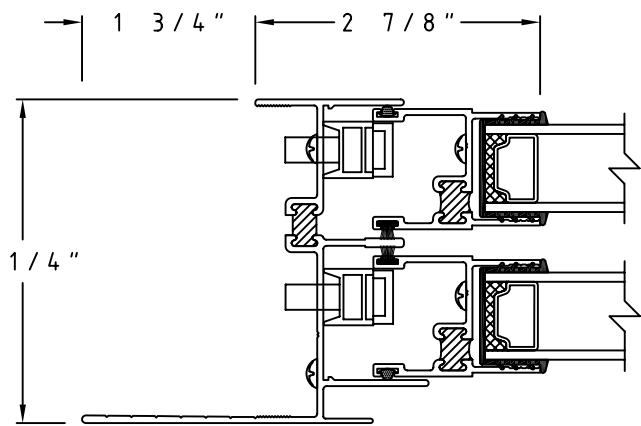
3A 1 1/2" Flange Sill Detail



3B 2 1/8" Flange Sill Detail

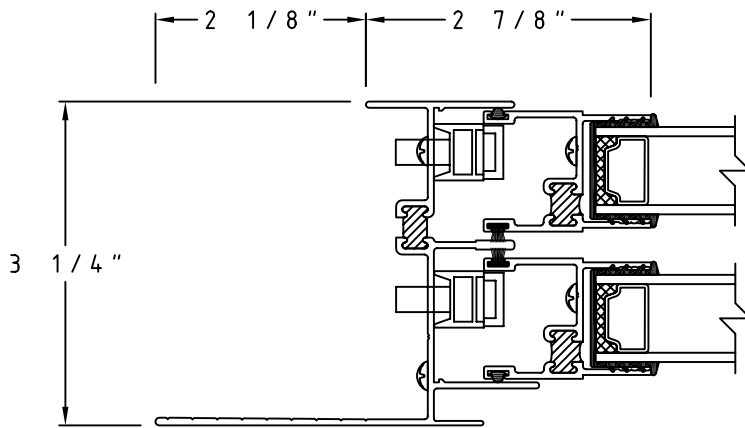


4A 1 1/2" Flange Jamb Detail

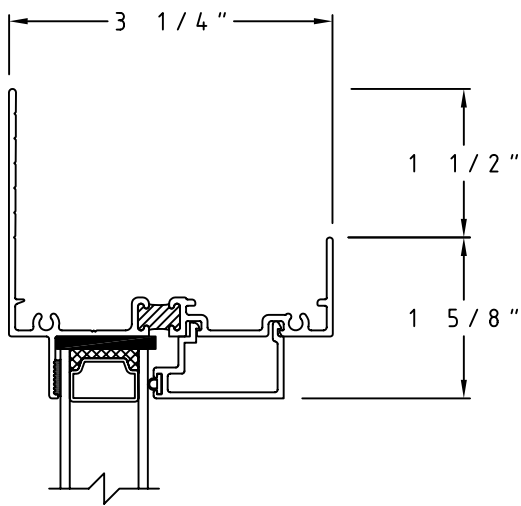


4B 1 3/4" Flange Jamb Detail

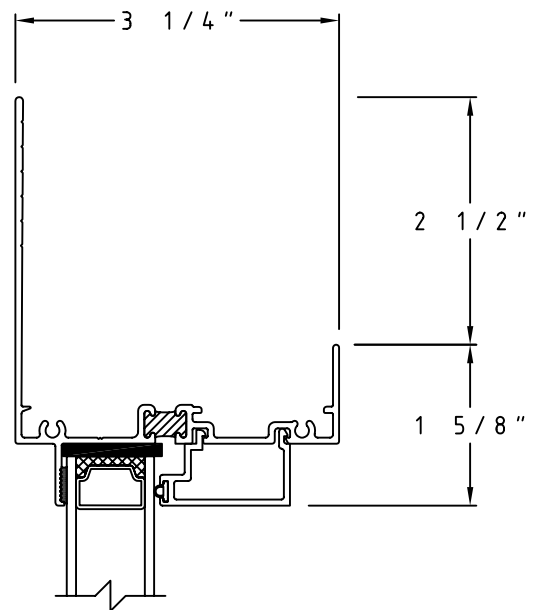
SCALE: HALF



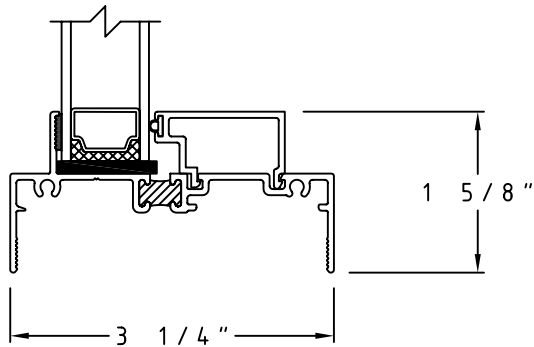
④C 2 1/8" Flange Jamb Detail



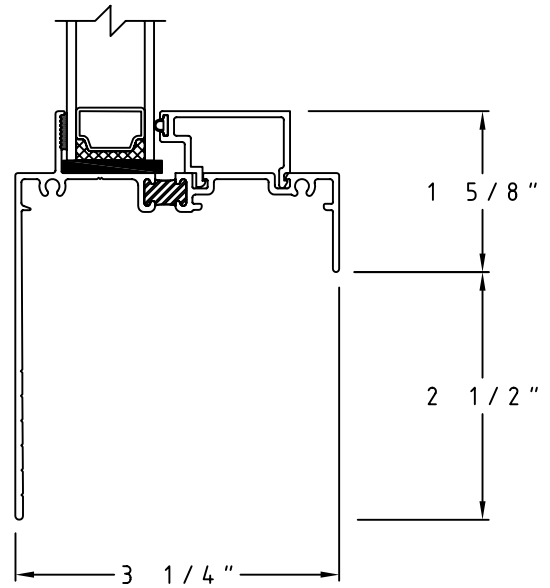
⑦A 1 1/2" Flange Fixed Head/Jamb Detail



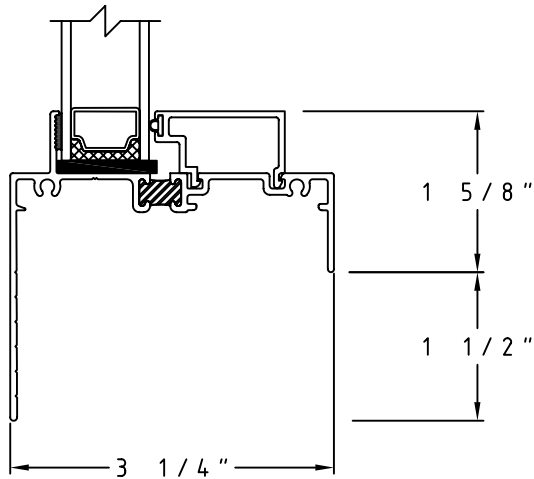
⑦B 2 1/2" Flange Fixed Head/Jamb Detail



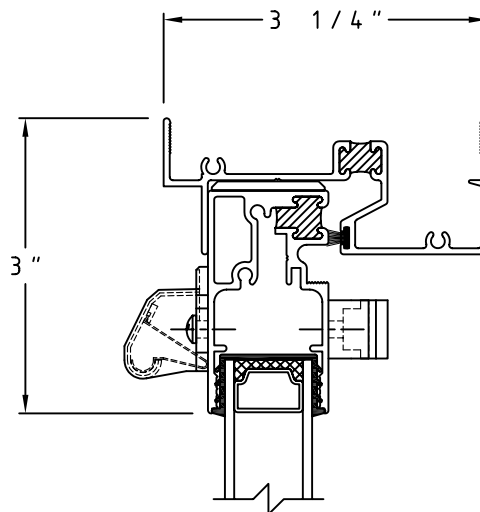
11A Equal Leg Fixed Sill Detail



11C 2 1/2" Flange Fixed Sill Detail



11B 1 1/2" Flange Fixed Sill Detail



1D Head with Trickle Vent Detail